

PARTS LIST

[KD-S7R]

* All printed circuit boards and its assemblies are not available as service parts.

Area suffix

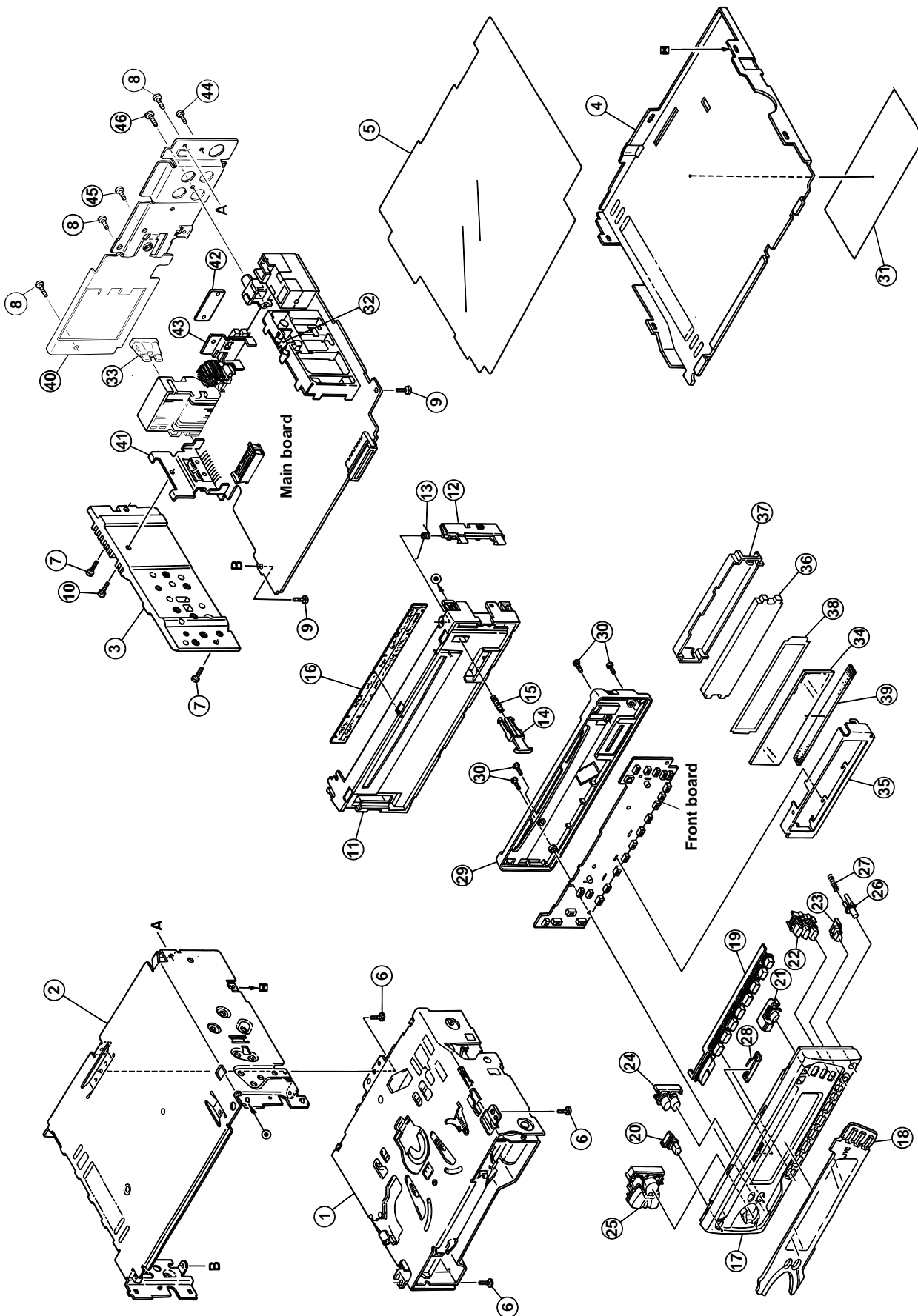
E ----- Continental Europe
 EX ----- Central Europe

- Contents -

Exploded view of general assembly and parts list	3- 2
CD mechanism assembly and parts list	3- 4
Electrical parts list	3- 7
Packing materials and accessories parts list	3-12

Exploded view of general assembly and parts list

Block No. M 1 M M



Parts list (General assembly)

Block No. M1MM

△	Item	Parts number	Parts name	Q'ty	Description	Area
	1	-----	CD MECHA	1		
	2	FSJC1029-404	TOP CHASSIS	1		
	3	FSMH3001-202	SIDE PANEL	1		
	4	FSKM3011-002	BOTTOM COVER	1		
	5	FSMA3004-003	INSULATOR	1		
	6	QYSDST2604Z	SCREW	3	CHASSIS+MECHA B	
	7	FSKZ4005-001	SCREW	2	CHASSIS+SIDE PA	
	8	QYSDST2604Z	SCREW	3	CHASSIS+REAR BK	
	9	QYSDST2606Z	SCREW	2	CHASSIS+MAIN PW	
	10	FSKZ4005-001	SCREW	1	SIDE PANEL+IC B	
	11	FSJC2013-002	FRONT CHASSIS	1		
	12	FSKS3010-001	LOCK LEVER	1		
	13	FSKW4005-003	TORSION SPRING	1	FOR LOCK LEVEL	
	14	FSXP3026-002	RLS KNOB	1		
	15	FSKW3002-015	COMP.SPRING	1		
	16	FSPK3009-001	BLIND	1		
	17	FSJC1057-002	FRONT PANEL	1		
	18	FSJD3023-00L	FINDER ASSY	1		
	19	FSXP2035-102	PRESET BUTTON	1	1-6,TP/RDS,PTY	
	20	FSXP3053-002	POWER BUTTON	1		
	21	FSXP3054-002	EJECT BUTTON	1		
	22	FSXP2034-034	D.FUNC BUTTON	1	CD/FM/AM	
	23	FSXP4005-019	BBE BUTTON	1	SCM	
	24	FSXP3068-002	PUSH BUTTON	1	DISP,MO/RND	
	25	FSXP2044-001	COMBO BUTTON	1		
	26	FSXP3055-001	DETACH BUTTON	1		
	27	FSKW3002-012	COMP. SPRING	1	FOR DETACH BUTT	
	28	FSJK3026-001	CD LENS	1		
	29	FSJC1043-002	REAR COVER	1		
	30	VKZ4777-001	MINI SCREW	4	FRONT+REAR	
	31	GE30249-002A	NAME PLATE	1		
	32	VMA4652-001SS	EARTH PLATE	1		
△	33	QMFZ021-100-J1	FUSE	1		
	34	QLD0126-001	LCD MODULE	1	LCD1	
	35	FSYH3023-001	LCD CASE	1		
	36	FSJK3035-001	LCD LENS	1		
	37	FSKS3022-002	LENS CASE	1		
	38	FSYH4078-001	LIGHT SHEET	1		
	39	QNZ0442-001	RUBBER CONNE	1		
	40	FSKM3012-012	REAR BRACKET	1		
	41	FSKL4018-00B	IC BRACKET	1		
	42	FSKL4014-001	HEAT SINK	1		
	43	FSKL4015-002	REG BRACKET	1		
	44	QYSDST2606Z	SCREW	1	FOR ANT	
	45	QYSDST2606Z	SCREW	1	16P & TR BRACK	
	46	QYSDSF3006Z	SCREW	1	LINE OUT	

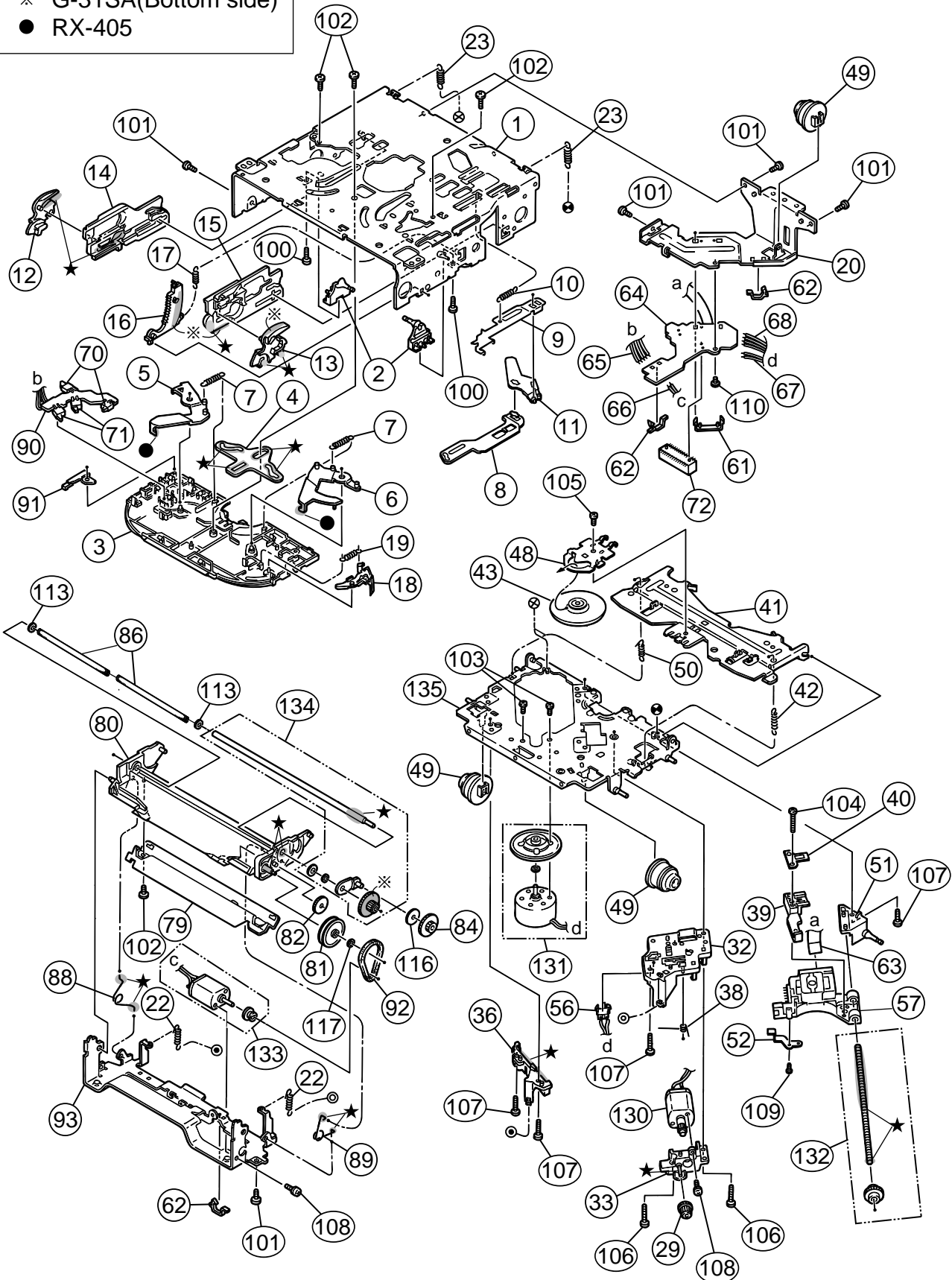
CD mechanism assembly and parts list

Block No. M 2 M M

Grease

- ★ G-31SA
- ※ G-31SA(Bottom side)
- RX-405

TN-CCD1001Z-136J



■ Parts list (CD mechanism)

Block No. M2MM

△	Item	Parts number	Parts name	Q'ty	Description	Area
	1	30310101T	FRAME	1		
	2	30310103T	DANPER PIN	2		
	3	30310107T	UPPER PLATE	1		
	4	30310108T	SEL STOP PLATE	1		
	5	30310142T	SEL ARM (L)L	1		
	6	30310143T	SEL ARM (R)L	1		
	7	30310145T	S ARM SPRING(L)	2		
	8	30310112T	TRIG LEVER	1		
	9	30310155T	TRIG PL(Z)	1		
	10	30310115T	TRIG PL SPRING	1		
	11	30310116T	TRIG ARM	1		
	12	30310134T	FIX ARM (L)B	1		
	13	30310159T	FIX ARM (R)Z	1		
	14	30310150T	FIX PL (L)Z	1		
	15	30310156T	FIX PL (R) Z	1		
	16	30310138T	LDG GR (6)B	1		
	17	30310122T	LDG GEAR (6)SP	1		
	18	30310148T	S.L ARM(N)	1		
	19	30310125T	S.L ARM SPRING	1		
	20	30310149T	REAR DAM BKT(Z)	1		
	22	30310151T	HUNG UP SP (FZ)	2		
	23	30310129T	HUNG UP SP (R)	2		
	29	30300510T	PU GEAR(B)	1		
	32	30310544T	F.M.BASE(Z)	1		
	33	30310547T	FD GR BLK(Z)	1		
	36	30310546T	PU GUIDE(Z)	1		
	38	30310533T	THRUST SPR(M)	1		
	39	30310548T	PU M NUT(Z)	1		
	40	30310512T	NUT PUSH SPR PL	1		
	41	30310558T	CLP ARM(Z)	1		
	42	30310514T	CLP ARM SPRING	1		
	43	30310552T	CLAMPER(Z)	1		
	48	30310557T	CLAMPER PLATE(Z)	1		
	49	30310524T	DAMPER (J)	3		
	50	30310525T	CLP ARM SPR (L)	1		
	51	30310545T	F SCREW GUIDE(Z)	1		
	52	30310556T	PU G.SP PLT(Z)	1		
	56	64180405T	DET SW	1	ESE11SF4	
	57	OPTIMA-720L1	C.D PICK (CAR)	1		
	61	30311035T	FPC HOLDER(Z)	1		
	62	19501403T	WIRE CLAMPER	3		
	63	30311037T	PICK UP FPC(Z)	1		
	64	30311036T	CONNECT.PCB(Z-J)	1		
	65	30311038T	WIRE (5P-Z)	1		
	66	30311039T	WIRE (LD-Z)	1		
	67	30311040T	WIRE (FD-Z)	1		
	68	30311041T	WIRE (RS-Z)	1		
	70	64180402T	DET SWITCH	2	ESE22MH1	

■ Parts list (CD mechanism)

Block No. M2MM

△	Item	Parts number	Parts name	Q'ty	Description	Area
	71	64180403T	DET SWITCH	2	ESE22MH3	
	72	68150232T	CONNECTOR	1	TKC-W26X-C1	
	79	30311105T	SOPPORT PLATE	1		
	80	30311138T	GR MT BLK(N)	1		
	81	30311109T	LDG GEAR (2)	1		
	82	30311110T	LDG GEAR (3)	1		
	84	30311112T	LDG GEAR (5)	1		
	86	30311136T	LDG ROLLER	2		
	88	30311118T	L.P SPRING (L)	1		
	89	30311119T	L.P SPRING (R)	1		
	90	30311123T	SW PCB	1		
	91	30311124T	SW ACTUATOR	1		
	92	30311129T	LDG BELT	1		
	93	30311140T	FRONT BRKT (J)	1		
	100	9C0620503T	C B TAP SCREW	2	M2X5	
	101	9C2020401T	C SCREW TS.G	5	M2X4	
	102	9C4320403T	C B TAP SCREW	4	M2X4	
	103	9C0117223T	SCREW	2	M1.7X2.2	
	104	9C0917703T	C TAP SCREW S3	1	M1.7X7	
	105	9C0320201T	C TAP SCREW S3	1	M2X2	
	106	9C4920013T	C TAP SCREW S3	2	M2X10	
	107	9C4920603T	C TAP SCREW B3	4	M2X6	
	108	9P0220031T	TAMS SCREW	2	M2X3	
	109	9C0314203T	C TAP SCREW	1	M1.4X2	
	110	9C0420253	C TAP SCREW	1	M2X2.5	
	113	9W0330276	NW BLUE	2	2.9X5X0.3	
	116	9W0725030T	LUMILAR W	1	2.3X9.8X0.25	
	117	9W0640030T	WASHER	1	1.4X3.2X0.4	
	130	303105310T	FEED MO ASSY	1		
	131	303105311T	SPINDLE MO ASSY	1		
	132	303105312T	FEED SCREW ASSY	1		
	133	303111301T	LDG MOTOR ASSY	1		
	134	303111302T	RDG RLR SFT ASY	1		
	135	303105502T	T.T.BASE ASSY	1		

■ Electrical parts list (Main board)

Block No. 01

△	Item	Parts number	Parts name	Remarks	Area	△	Item	Parts number	Parts name	Remarks	Area
	C 1	NDC21HJ-5R0X	C CAPACITOR				C 521	NCB21HK-103X	C CAPACITOR		
	C 2	NDC21HJ-100X	C CAPACITOR				C 522	NCB21HK-103X	C CAPACITOR		
	C 3	QERF1HM-104Z	E CAPACITOR	.10MF 20% 50V			C 523	NCB21EK-103X	C CAPACITOR		
	C 4	NCS21HJ-221X	C CAPACITOR				C 524	QEKJ1AM-107Z	E CAPACITOR	100MF 20% 10V	
	C 5	QERF1HM-474Z	E CAPACITOR	.47MF 20% 50V			C 525	NCB21HK-103X	C CAPACITOR		
	C 6	NCB21EK-473X	C CAPACITOR				C 526	QEKJ0JM-107Z	E CAPACITOR	100MF 20% 6.3V	
	C 7	NCS21HJ-101X	C CAPACITOR				C 527	QEKJ0JM-107Z	E CAPACITOR	100MF 20% 6.3V	
	C 9	QERF1AM-227Z	E CAPACITOR	220MF 20% 10V			C 528	NCS21HJ-101X	C CAPACITOR		
	C 10	NCB21HK-102X	C CAPACITOR				C 529	NCB21HK-103X	C CAPACITOR		
	C 31	QERF1HM-225Z	E CAPACITOR	2.2MF 20% 50V			C 530	QEKJ0JM-107Z	E CAPACITOR	100MF 20% 6.3V	
	C 32	NCB21HK-102X	C CAPACITOR				C 531	NCB21EK-104X	C CAPACITOR		
	C 41	NCB21HK-333X	C CAPACITOR				C 532	NCB21EK-104X	C CAPACITOR		
	C 42	NCB21HK-822X	C CAPACITOR				C 533	NCS21HJ-560X	C CAPACITOR		
	C 43	QERF1CM-107Z	E CAPACITOR	100MF 20% 16V			C 541	QEKJ0JM-107Z	E CAPACITOR	100MF 20% 6.3V	
	C 44	NCB21HK-103X	C CAPACITOR				C 542	NCB21HK-103X	C CAPACITOR		
	C 51	QERF1HM-474Z	E CAPACITOR	.47MF 20% 50V			C 543	QEKJ1HM-105Z	E CAPACITOR	1.0MF 20% 50V	
	C 52	NCB21HK-472X	C CAPACITOR				C 544	QEKJ0JM-107Z	E CAPACITOR	100MF 20% 6.3V	
	C 53	NCB21EK-104X	C CAPACITOR				C 545	NCB21HK-103X	C CAPACITOR		
	C 54	NCB21HK-103X	C CAPACITOR				C 546	QEKJ0JM-107Z	E CAPACITOR	100MF 20% 6.3V	
	C 55	NCB21HK-331X	C CAPACITOR				C 547	NDC21HJ-470X	C CAPACITOR		
	C 71	NDC21HJ-820X	C CAPACITOR				C 548	NCB21HK-153X	C CAPACITOR		
	C 72	NDC21HJ-470X	C CAPACITOR				C 549	QEKJ0JM-107Z	E CAPACITOR	100MF 20% 6.3V	
	C 73	NCB21HK-103X	C CAPACITOR				C 550	NCB21HK-103X	C CAPACITOR		
	C 74	QERF1AM-476Z	E CAPACITOR	47MF 20% 10V			C 551	NCB21HK-272X	C CAPACITOR		
	C 75	NCS21HJ-561X	C CAPACITOR				C 552	NCB21HK-103X	C CAPACITOR		
	C 76	QEKJ1HM-225Z	E CAPACITOR	2.2MF 20% 50V			C 553	QEKJ0JM-107Z	E CAPACITOR	100MF 20% 6.3V	
	C 77	NCB21EK-223X	C CAPACITOR				C 554	NCB21HK-103X	C CAPACITOR		
	C 161	QEKJ1HM-105Z	E CAPACITOR	1.0MF 20% 50V			C 555	NCB21EK-333X	C CAPACITOR		
	C 162	NCB21HK-822X	C CAPACITOR				C 556	NCB21HK-332X	C CAPACITOR		
	C 163	NCB21CK-154X	C CAPACITOR				C 557	NCS21HJ-561X	C CAPACITOR		
	C 164	QEKJ1HM-224Z	E CAPACITOR	.22MF 20% 50V			C 558	QEKJ0JM-107Z	E CAPACITOR	100MF 20% 6.3V	
	C 165	NCB21HK-333X	C CAPACITOR				C 559	NCB21HK-473X	C CAPACITOR		
	C 166	NCB21HK-562X	C CAPACITOR				C 560	NCB21HK-473X	C CAPACITOR		
	C 167	QEKJ1HM-225Z	E CAPACITOR	2.2MF 20% 50V			C 561	NCB21HK-473X	C CAPACITOR		
	C 168	QEKJ1HM-225Z	E CAPACITOR	2.2MF 20% 50V			C 562	NCB21HK-473X	C CAPACITOR		
	C 169	QERF1HM-105Z	E CAPACITOR	1.0MF 20% 50V			C 563	QEKJ0JM-107Z	E CAPACITOR	100MF 20% 6.3V	
	C 171	QERF1HM-105Z	E CAPACITOR	1.0MF 20% 50V			C 564	NCB21HK-103X	C CAPACITOR		
	C 172	NCB21HK-183X	C CAPACITOR				C 565	NCB21HK-103X	C CAPACITOR		
	C 173	NCB21EK-104X	C CAPACITOR				C 566	NDC21HJ-100X	C CAPACITOR		
	C 181	QEKJ1HM-105Z	E CAPACITOR	1.0MF 20% 50V			C 567	NDC21HJ-100X	C CAPACITOR		
	C 182	NCB21HK-822X	C CAPACITOR				C 568	NCB21HK-103X	C CAPACITOR		
	C 183	NCB21CK-154X	C CAPACITOR				C 569	QEKJ0JM-107Z	E CAPACITOR	100MF 20% 6.3V	
	C 184	QEKJ1HM-224Z	E CAPACITOR	.22MF 20% 50V			C 570	NCS21HJ-101X	C CAPACITOR		
	C 185	NCB21HK-333X	C CAPACITOR				C 571	QEKJ0JM-107Z	E CAPACITOR	100MF 20% 6.3V	
	C 186	NCB21HK-562X	C CAPACITOR				C 572	QEKJ0JM-107Z	E CAPACITOR	100MF 20% 6.3V	
	C 187	QERF1HM-225Z	E CAPACITOR	2.2MF 20% 50V			C 573	NCB21HK-103X	C CAPACITOR		
	C 188	QERF1HM-225Z	E CAPACITOR	2.2MF 20% 50V			C 581	NCS21HJ-821X	C CAPACITOR		
	C 189	QEKJ1HM-105Z	E CAPACITOR	1.0MF 20% 50V			C 582	QEKJ1EM-475Z	E CAPACITOR	4.7MF 20% 25V	
	C 191	QERF1HM-105Z	E CAPACITOR	1.0MF 20% 50V			C 583	QEKJ0JM-476Z	E CAPACITOR	47MF 20% 6.3V	
	C 192	NCB21HK-183X	C CAPACITOR				C 584	NCS21HJ-121X	C CAPACITOR		
	C 309	QERF1CM-106Z	E CAPACITOR	10MF 20% 16V			C 591	NCS21HJ-821X	C CAPACITOR		
	C 310	QERF1CM-106Z	E CAPACITOR	10MF 20% 16V			C 592	QEKJ1EM-475Z	E CAPACITOR	4.7MF 20% 25V	
	C 312	NCB21EK-473X	C CAPACITOR				C 593	QEKJ0JM-476Z	E CAPACITOR	47MF 20% 6.3V	
	C 313	NCB21EK-104X	C CAPACITOR				C 594	NCS21HJ-121X	C CAPACITOR		
	C 314	NCB21EK-104X	C CAPACITOR				C 595	QEKJ1AM-107Z	E CAPACITOR	100MF 20% 10V	
	C 315	NCB21EK-104X	C CAPACITOR				C 701	NDC21HJ-220X	C CAPACITOR		
	C 322	NCS21HJ-391X	C CAPACITOR				C 702	NDC21HJ-220X	C CAPACITOR		
	C 332	NCS21HJ-391X	C CAPACITOR				C 703	NCB21EK-104X	C CAPACITOR		
	C 342	NCS21HJ-391X	C CAPACITOR				C 704	NCB21EK-104X	C CAPACITOR		
	C 352	NCS21HJ-391X	C CAPACITOR				C 706	QEKJ0JM-107Z	E CAPACITOR	100MF 20% 6.3V	
	C 501	QERF1AM-227Z	E CAPACITOR	220MF 20% 10V			C 707	NCB21HK-103X	C CAPACITOR		
	C 502	NCB21HK-103X	C CAPACITOR				C 708	QERF0JM-107Z	E CAPACITOR	100MF 20% 6.3V	
	C 503	QEKJ1CM-226Z	E CAPACITOR	22MF 20% 16V			C 709	NCB21HK-103X	C CAPACITOR		

■ Electrical parts list (Main board)

Block No. 01

△	Item	Parts number	Parts name	Remarks	Area
	C 712	NDC21HJ-680X	C CAPACITOR		
	C 713	NCB21HK-103X	C CAPACITOR		
	C 718	NCB21HK-103X	C CAPACITOR		
	C 719	NCB21EK-104X	C CAPACITOR		
	C 720	NCB21EK-104X	C CAPACITOR		
	C 721	NCB21EK-104X	C CAPACITOR		
	C 781	QERF0JM-107Z	E CAPACITOR	100MF 20% 6.3V	
	C 782	QERF1CM-226Z	E CAPACITOR	22MF 20% 16V	
	C 783	NCB21EK-823X	C CAPACITOR		
	C 891	NCB21EK-473X	C CAPACITOR		
	C 901	QERF1AM-227Z	E CAPACITOR	220MF 20% 10V	
	C 902	NCB21HK-103X	C CAPACITOR		
	C 903	QEKJ1CM-226Z	E CAPACITOR	22MF 20% 16V	
	C 904	QERF1AM-227Z	E CAPACITOR	220MF 20% 10V	
	C 905	QERF1CM-106Z	E CAPACITOR	10MF 20% 16V	
	C 906	QERF1CM-106Z	E CAPACITOR	10MF 20% 16V	
	C 907	QERF1HM-225Z	E CAPACITOR	2.2MF 20% 50V	
	C 908	QEZ0338-228	E CAPACITOR	2200MF	
	C 909	NCB21EK-104X	C CAPACITOR		
	C 911	QERF1AM-476Z	E CAPACITOR	47MF 20% 10V	
	C 912	QEKJ1AM-107Z	E CAPACITOR	100MF 20% 10V	
	C 913	QEKJ1CM-107Z	E CAPACITOR	100MF 20% 16V	
	C 914	QERF1EM-475Z	E CAPACITOR	4.7MF 20% 25V	
	C 915	QERF1CM-106Z	E CAPACITOR	10MF 20% 16V	
	CN501	QGB2027M1-26S	CONNECTOR		
	CP601	VMC0334-001	CONNECTOR	F.PANEL CONN.	
	CP961	QNZ0112-001	CAR CONNECTOR		
	D 1	1SS133-T1	SI DIODE		
	D 2	1SS133-T1	SI DIODE		
	D 3	MA152WK-X	SI DIODE		
	D 161	MA152WK-X	SI DIODE		
	D 341	MA152WA-X	DIODE		
	D 501	DSK10C-T1	DIODE		
	D 781	MA152WK-X	SI DIODE		
	D 782	1SS133-T1	SI DIODE		
	D 784	MA3110M/-X	ZENER DIODE		
	D 891	MA152WA-X	DIODE		
	D 909	MA152WA-X	DIODE		
	D 910	CRS03-W	SB DIODE		
	D 911	1N5401-TU-15	DIODE		
	D 912	CRS03-W	SB DIODE		
	IC 71	SAA6579T-X	IC		
	IC161	TEA6320T-X	IC		
	IC301	HA13158A	IC		
	IC501	LA6567H-X	IC		
	IC521	TA2109F-X	IC		
	IC541	TC9462F	IC		
	IC581	NJM4565M-WE	IC		
	IC701	UPD178078GF-525	IC		
	IC961	BA4905-V3	IC		
	J 1	QNZ0009-001	CAR ANT JACK		
	J 301	QNN0170-001	PIN JACK (REEL)		
	L 1	QQL244J-4R7Z	INDUCTOR		
	L 541	QQL244J-4R7Z	INDUCTOR		
	L 542	QQL244J-4R7Z	INDUCTOR		
	L 701	QQL244J-4R7Z	INDUCTOR		
	L 961	QQR0703-001	CHOKE COIL		
	Q 1	UN2211-X	TRANSISTOR		
	Q 2	2SD601A/R/-X	TRANSISTOR		
	Q 3	UN2111-X	TRANSISTOR		
	Q 4	2SB709A/R/-X	TRANSISTOR		
	Q 5	2SB815/7/-X	TRANSISTOR		
	Q 7	UN2211-X	TRANSISTOR		

△	Item	Parts number	Parts name	Remarks	Area
	Q 31	2SD601A/R/-X	TRANSISTOR		
	Q 32	2SD601A/R/-X	TRANSISTOR		
	Q 41	2SD601A/R/-X	TRANSISTOR		
	Q 42	2SC3661-X	TRANSISTOR		
	Q 43	UN2211-X	TRANSISTOR		
	Q 51	2SD601A/R/-X	TRANSISTOR		
	Q 52	2SD601A/R/-X	TRANSISTOR		
	Q 53	UN2211-X	TRANSISTOR		
	Q 161	2SD601A/R/-X	TRANSISTOR		
	Q 162	UN2111-X	TRANSISTOR		
	Q 174	UN2111-X	TRANSISTOR		
	Q 181	2SD601A/R/-X	TRANSISTOR		
	Q 341	2SD1048/6-7/-X	TRANSISTOR		
	Q 351	2SD1048/6-7/-X	TRANSISTOR		
	Q 501	2SB1322/RS/-T	TRANSISTOR		
	Q 521	2SB1322/RS/-T	TRANSISTOR		
	Q 781	UN2111-X	TRANSISTOR		
	Q 782	UN2211-X	TRANSISTOR		
	Q 783	UN2111-X	TRANSISTOR		
	Q 891	UN2211-X	TRANSISTOR		
	Q 901	2SB709A/R/-X	TRANSISTOR		
	Q 902	UN2213-X	TRANSISTOR		
	Q 976	UN2211-X	TRANSISTOR		
	Q 977	2SB709A/R/-X	TRANSISTOR		
	R 1	NRSA02J-0R0X	MG RESISTOR		
	R 2	NRSA02J-102X	MG RESISTOR		
	R 3	NRSA02J-102X	MG RESISTOR		
	R 4	NRSA02J-223X	MG RESISTOR		
	R 5	NRSA02J-472X	MG RESISTOR		
	R 6	NRSA02J-473X	MG RESISTOR		
	R 7	NRSA02J-472X	MG RESISTOR		
	R 8	NRSA02J-473X	MG RESISTOR		
	R 9	NRSA02J-332X	MG RESISTOR		
	R 10	NRS181J-8R2X	MG RESISTOR		
	R 31	NRSA02J-102X	MG RESISTOR		
	R 32	NRSA02J-103X	MG RESISTOR		
	R 33	NRSA02J-152X	MG RESISTOR		
	R 41	NRSA02J-332X	MG RESISTOR		
	R 42	NRSA02J-102X	MG RESISTOR		
	R 43	NRSA02J-102X	MG RESISTOR		
	R 44	NRS181J-330X	MG RESISTOR		
	R 51	NRSA02J-471X	MG RESISTOR		
	R 52	NRSA02J-153X	MG RESISTOR		
	R 53	NRSA02J-103X	MG RESISTOR		
	R 54	NRSA02J-103X	MG RESISTOR		
	R 55	NRSA02J-222X	MG RESISTOR		
	R 56	NRSA02J-473X	MG RESISTOR		
	R 57	NRSA02J-473X	MG RESISTOR		
	R 58	NRSA02J-473X	MG RESISTOR		
	R 71	NRSA02J-222X	MG RESISTOR		
	R 72	NRSA02J-222X	MG RESISTOR		
	R 73	NRSA02J-222X	MG RESISTOR		
	R 162	NRSA02J-223X	MG RESISTOR		
	R 163	NRSA02J-222X	MG RESISTOR		
	R 164	NRSA02J-332X	MG RESISTOR		
	R 165	NRSA02J-473X	MG RESISTOR		
	R 166	NRSA02J-473X	MG RESISTOR		
	R 167	NRSA02J-103X	MG RESISTOR		
	R 168	NRSA02J-223X	MG RESISTOR		
	R 169	NRSA02J-472X	MG RESISTOR		
	R 170	NRSA02J-472X	MG RESISTOR		
	R 182	NRSA02J-223X	MG RESISTOR		
	R 183	NRSA02J-222X	MG RESISTOR		

■ Electrical parts list (Main board)

Block No. 01

△	Item	Parts number	Parts name	Remarks	Area	△	Item	Parts number	Parts name	Remarks	Area
	R 184	NRSA02J-332X	MG RESISTOR				R 592	NRSA02J-223X	MG RESISTOR		
	R 185	NRSA02J-473X	MG RESISTOR				R 593	NRSA02J-223X	MG RESISTOR		
	R 186	NRSA02J-473X	MG RESISTOR				R 594	NRSA02J-333X	MG RESISTOR		
	R 187	NRSA02J-103X	MG RESISTOR				R 595	NRSA02J-123X	MG RESISTOR		
	R 188	NRSA02J-223X	MG RESISTOR				R 596	NRSA02J-152X	MG RESISTOR		
	R 241	NRSA02J-274X	MG RESISTOR				R 701	NRSA02J-102X	MG RESISTOR		
	R 310	NRSA02J-472X	MG RESISTOR				R 702	NRSA02J-122X	MG RESISTOR		
	R 321	NRSA02J-273X	MG RESISTOR				R 703	NRSA02J-222X	MG RESISTOR		
	R 331	NRSA02J-273X	MG RESISTOR				R 704	NRSA02J-222X	MG RESISTOR		
	R 341	NRSA02J-273X	MG RESISTOR				R 705	NRSA02J-222X	MG RESISTOR		
	R 342	NRSA02J-102X	MG RESISTOR				R 706	NRSA02J-103X	MG RESISTOR		
	R 343	NRSA02J-222X	MG RESISTOR				R 707	NRSA02J-473X	MG RESISTOR		
	R 344	NRSA02J-101X	MG RESISTOR				R 708	NRSA02J-473X	MG RESISTOR		
	R 351	NRSA02J-273X	MG RESISTOR				R 709	NRSA02J-472X	MG RESISTOR		
	R 352	NRSA02J-102X	MG RESISTOR				R 710	NRSA02J-472X	MG RESISTOR		
	R 353	NRSA02J-222X	MG RESISTOR				R 711	NRSA02J-472X	MG RESISTOR		
	R 354	NRSA02J-101X	MG RESISTOR				R 712	NRSA02J-472X	MG RESISTOR		
	R 501	NRSA02J-822X	MG RESISTOR				R 713	NRSA02J-103X	MG RESISTOR		
	R 502	NRSA02J-562X	MG RESISTOR				R 714	NRSA02J-103X	MG RESISTOR		
	R 503	NRSA02J-242X	MG RESISTOR				R 715	NRSA02J-103X	MG RESISTOR		
	R 504	NRSA02J-203X	MG RESISTOR				R 716	NRSA02J-103X	MG RESISTOR		
	R 506	NRS181J-0R0X	MG RESISTOR				R 717	NRSA02J-103X	MG RESISTOR		
	R 507	NRS181J-822X	MG RESISTOR				R 718	NRSA02J-103X	MG RESISTOR		
	R 508	NRS181J-203X	MG RESISTOR				R 719	NRSA02J-472X	MG RESISTOR		
	R 521	NRSA02J-473X	MG RESISTOR				R 720	NRSA02J-472X	MG RESISTOR		
	R 522	NRSA02J-473X	MG RESISTOR				R 721	NRSA02J-472X	MG RESISTOR		
	R 523	NRSA02J-473X	MG RESISTOR				R 722	NRSA02J-0R0X	MG RESISTOR		
	R 524	NRSA02J-473X	MG RESISTOR				R 723	NRSA02J-104X	MG RESISTOR		
	R 525	NRSA02J-104X	MG RESISTOR				R 725	NRSA02J-104X	MG RESISTOR		
	R 526	NRSA02J-104X	MG RESISTOR				R 726	NRSA02J-473X	MG RESISTOR		
	R 527	NRSA02J-220X	MG RESISTOR				R 727	NRSA02J-473X	MG RESISTOR		
	R 528	NRSA02J-220X	MG RESISTOR				R 728	NRSA02J-473X	MG RESISTOR		
	R 529	NRSA02J-273X	MG RESISTOR				R 729	NRSA02J-473X	MG RESISTOR		
	R 530	NRSA02J-473X	MG RESISTOR				R 730	NRSA02J-104X	MG RESISTOR		
	R 531	NRSA02J-222X	MG RESISTOR				R 731	NRSA02J-104X	MG RESISTOR		
	R 532	NRSA02J-153X	MG RESISTOR				R 732	NRSA02J-473X	MG RESISTOR		
	R 533	NRSA02J-682X	MG RESISTOR				R 733	NRSA02J-473X	MG RESISTOR		
	R 534	NRSA02J-473X	MG RESISTOR				R 734	NRSA02J-103X	MG RESISTOR		
	R 541	NRSA02J-472X	MG RESISTOR				R 736	NRSA02J-103X	MG RESISTOR		
	R 542	NRSA02J-472X	MG RESISTOR				R 737	NRSA02J-473X	MG RESISTOR		
	R 543	NRSA02J-472X	MG RESISTOR				R 738	NRSA02J-103X	MG RESISTOR		
	R 544	NRSA02J-472X	MG RESISTOR				R 739	NRSA02J-473X	MG RESISTOR		
	R 545	NRSA02J-103X	MG RESISTOR				R 740	NRSA02J-103X	MG RESISTOR		
	R 546	NRSA02J-103X	MG RESISTOR				R 743	NRSA02J-473X	MG RESISTOR		
	R 547	NRSA02J-473X	MG RESISTOR				R 744	NRSA02J-222X	MG RESISTOR		
	R 548	NRSA02J-683X	MG RESISTOR				R 745	NRSA02J-222X	MG RESISTOR		
	R 549	NRSA02J-474X	MG RESISTOR				R 746	NRSA02J-473X	MG RESISTOR		
	R 550	NRSA02J-333X	MG RESISTOR				R 750	NRSA02J-473X	MG RESISTOR		
	R 551	NRSA02J-103X	MG RESISTOR				R 781	NRS181J-273X	MG RESISTOR		
	R 552	NRSA02J-152X	MG RESISTOR				R 782	NRS181J-102X	MG RESISTOR		
	R 553	NRSA02J-153X	MG RESISTOR				R 801	NRSA02J-104X	MG RESISTOR		
	R 554	NRSA02J-332X	MG RESISTOR				R 802	NRSA02J-104X	MG RESISTOR		
	R 555	NRSA02J-332X	MG RESISTOR				R 803	NRSA02J-104X	MG RESISTOR		
	R 556	NRSA02J-682X	MG RESISTOR				R 807	NRSA02J-104X	MG RESISTOR		
	R 557	NRSA02J-152X	MG RESISTOR				R 809	NRSA02J-104X	MG RESISTOR		
	R 558	NRS181J-101X	MG RESISTOR				R 891	NRSA02J-473X	MG RESISTOR		
	R 581	NRSA02J-243X	MG RESISTOR				R 892	NRSA02J-102X	MG RESISTOR		
	R 582	NRSA02J-223X	MG RESISTOR				R 901	NRSA02J-222X	MG RESISTOR		
	R 583	NRSA02J-223X	MG RESISTOR				R 902	NRSA02J-473X	MG RESISTOR		
	R 584	NRSA02J-333X	MG RESISTOR				R 903	NRSA02J-0R0X	MG RESISTOR		
	R 585	NRSA02J-123X	MG RESISTOR				R 905	NRSA02J-472X	MG RESISTOR		
	R 586	NRSA02J-152X	MG RESISTOR				R 906	NRSA02J-103X	MG RESISTOR		
	R 591	NRSA02J-243X	MG RESISTOR				R 907	QRZ0125-470X	C RESISTOR	47 1/1W	

■ Electrical parts list (Main board)

Block No. 01

△	Item	Parts number	Parts name	Remarks	Area
	R 911	NRSA02J-100X	MG RESISTOR		
	R 976	NRSA02J-473X	MG RESISTOR		
	R 977	NRSA02J-273X	MG RESISTOR		
	R 978	NRSA02J-123X	MG RESISTOR		
	TU 1	QAU0156-002	TUNER		
	X 71	QAX0263-001Z	CRYSTAL		
	X 541	QAX0413-001Z	CRYSTAL		
	X 701	QAX0406-002Z	CRYSTAL		

■ Electrical parts list (Front board)

Block No. 02

△	Item	Parts number	Parts name	Remarks	Area
	C 601	NCB21HK-223X	C CAPACITOR		
	C 602	NCS21HJ-681X	C CAPACITOR		
	C 603	NBE20JM-106X	TS E CAP SVB20J		
	CJ601	VMC0335-001	CONNECTOR		
	D 601	SML-310DT/KL/-X	LED		
	D 602	SML-310DT/KL/-X	LED		
	D 603	SML-310DT/KL/-X	LED		
	D 604	SML-310DT/KL/-X	LED		
	D 605	SML-310DT/KL/-X	LED		
	D 606	SML-310DT/KL/-X	LED		
	D 607	SML-310DT/KL/-X	LED		
	D 608	SML-310DT/KL/-X	LED		
	D 609	SML-310DT/KL/-X	LED		
	D 610	SML-310DT/KL/-X	LED		
	D 611	SML-310DT/KL/-X	LED		
	D 612	SML-310DT/KL/-X	LED		
	D 613	SML-310DT/KL/-X	LED		
	D 614	SML-310DT/KL/-X	LED		
	D 615	SML-310DT/KL/-X	LED		
	D 616	SML-310DT/KL/-X	LED		
	D 617	SML-310DT/KL/-X	LED		
	D 618	SML-310DT/KL/-X	LED		
	D 619	SML-310DT/KL/-X	LED		
	D 620	SML-310DT/KL/-X	LED		
	D 621	SML-310LT/MN/-X	LED	POWER LED	
	D 641	MA3047/M/-X	ZENER DIODE		
	D 642	MA152WK-X	SI DIODE		
	IC601	LC75823W	IC		
	PL601	QLL0075-001	PILOT LAMP		
	PL602	QLL0075-001	PILOT LAMP		
	R 601	NRSA02J-821X	MG RESISTOR		
	R 602	NRSA02J-821X	MG RESISTOR		
	R 603	NRSA02J-122X	MG RESISTOR		
	R 604	NRSA02J-182X	MG RESISTOR		
	R 605	NRSA02J-272X	MG RESISTOR		
	R 606	NRSA02J-821X	MG RESISTOR		
	R 607	NRSA02J-821X	MG RESISTOR		
	R 608	NRSA02J-122X	MG RESISTOR		
	R 609	NRSA02J-182X	MG RESISTOR		
	R 610	NRSA02J-272X	MG RESISTOR		
	R 611	NRSA02J-392X	MG RESISTOR		
	R 612	NRSA02J-103X	MG RESISTOR		
	R 613	NRSA02J-821X	MG RESISTOR		
	R 614	NRSA02J-821X	MG RESISTOR		
	R 615	NRSA02J-122X	MG RESISTOR		
	R 616	NRSA02J-182X	MG RESISTOR		
	R 617	NRSA02J-272X	MG RESISTOR		
	R 618	NRSA02J-392X	MG RESISTOR		
	R 631	NRSA02J-821X	MG RESISTOR		
	R 632	NRSA02J-271X	MG RESISTOR		
	R 633	NRSA02J-271X	MG RESISTOR		
	R 634	NRSA02J-271X	MG RESISTOR		
	R 635	NRSA02J-271X	MG RESISTOR		
	R 636	NRSA02J-271X	MG RESISTOR		
	R 637	NRSA02J-271X	MG RESISTOR		
	R 638	NRSA02J-271X	MG RESISTOR		
	R 639	NRSA02J-271X	MG RESISTOR		
	R 640	NRSA02J-271X	MG RESISTOR		
	R 641	NRSA02J-271X	MG RESISTOR		
	R 651	NRSA02J-222X	MG RESISTOR		
	R 652	NRSA02J-222X	MG RESISTOR		
	R 653	NRSA02J-103X	MG RESISTOR		
	R 654	NRSA02J-103X	MG RESISTOR		

△	Item	Parts number	Parts name	Remarks	Area
	R 655	NRSA02J-103X	MG RESISTOR		
	R 656	NRSA02J-103X	MG RESISTOR		
	R 657	NRSA02J-513X	MG RESISTOR		
	R 658	NRSA02J-184X	MG RESISTOR		
	S 601	NSW0124-001X	TACT SWITCH	POWER	
	S 602	NSW0124-001X	TACT SWITCH	VOL UP	
	S 603	NSW0124-001X	TACT SWITCH	VOL DOWN	
	S 604	NSW0124-001X	TACT SWITCH	LOUD	
	S 605	NSW0124-001X	TACT SWITCH	MO	
	S 606	NSW0124-001X	TACT SWITCH	DOWN	
	S 607	NSW0124-001X	TACT SWITCH	SELECT	
	S 608	NSW0124-001X	TACT SWITCH	UP	
	S 609	NSW0124-001X	TACT SWITCH	1	
	S 610	NSW0124-001X	TACT SWITCH	2	
	S 611	NSW0124-001X	TACT SWITCH	3	
	S 612	NSW0124-001X	TACT SWITCH	4	
	S 613	NSW0124-001X	TACT SWITCH	5	
	S 614	NSW0124-001X	TACT SWITCH	EJECT	
	S 615	NSW0124-001X	TACT SWITCH	6	
	S 616	NSW0124-001X	TACT SWITCH	DISPLAY	
	S 617	NSW0124-001X	TACT SWITCH	SCAN	
	S 618	NSW0124-001X	TACT SWITCH	SOUND	
	S 619	NSW0124-001X	TACT SWITCH	AM	
	S 620	NSW0124-001X	TACT SWITCH	FM	
	S 621	NSW0124-001X	TACT SWITCH	CD	

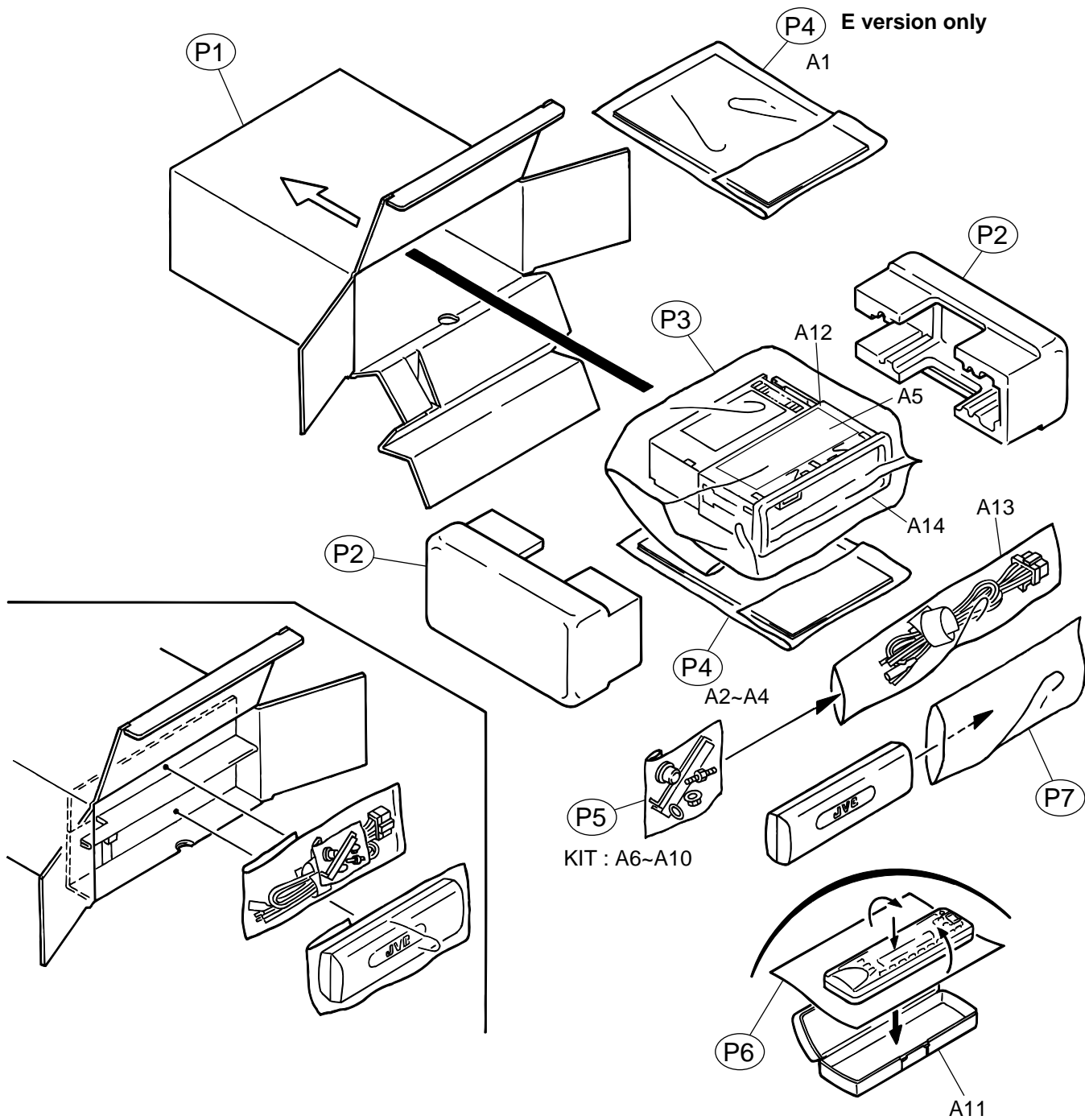
Packing materials and accessories parts list

Block No.

M	3	M	M
---	---	---	---

Block No.

M	4	M	M
---	---	---	---



Parts list (Packing)

Block No. M3MM

△	Item	Parts number	Parts name	Q'ty	Description	Area
	P 1	GE30123-040A	PACKING CASE	1		
	P 2	GE10008-001A	CUSHION	2		
	P 3	QPC03004315P	POLY BAG	1	SET	
	P 4	FSPG4002-001	POLY BAG	1	INST.BOOK	EX
		FSPG4002-001	POLY BAG	2	INST.BOOK	E
	P 5	QPA00801205	POLY BAG	1	SCREW	
	P 6	FSYH4036-068	SHEET	1		
	P 7	QPA01003003	POLY BAG	1		

Parts list (Accessories)

Block No. M4MM

△	Item	Parts number	Parts name	Q'ty	Description	Area
	A 1	GET0042-002A	INST BOOK	1	FIN,ITA,SPA,SWE	E
	A 2	GET0042-001A	INST BOOK	1	ENG,FRE,GER,DUT	
	A 3	GET0042-003A	INSTALL MANUAL	1	ENG,GER,FRE	
		GET0042-004A	INSTALL MANUAL	1	DUT,SPA,ITA	
		GET0042-005A	INSTALL MANUAL	1	SWE,FIN	E
	A 4	BT-54013-1	WARRANTY CARD	1		
	A 5	LV40978-001A	CAUTION SHEET	1		
	A 6	VKZ4027-202	PLUG NUT	1		
	A 7	VKH4871-001SS	MOUNT BOLT	1		
	A 8	VKZ4328-001	LOCK NUT	1	FOR M5	
	A 9	WNS5000Z	WASHER	1		
	A 10	FSKL4010-002	HOOK	2		
	A 11	FSJB3001-30C	HARD CASE	1		
	A 12	FSKM2004-202	MOUNTING SLEEVE	1		
	A 13	QAM0175-001	POWER CORD	1		
	A 14	FSJD2034-001	TRIM PLATE	1		
	KIT	KDGS717K-SCREW1	SCREW PARTS KIT	1	A6-A10	